

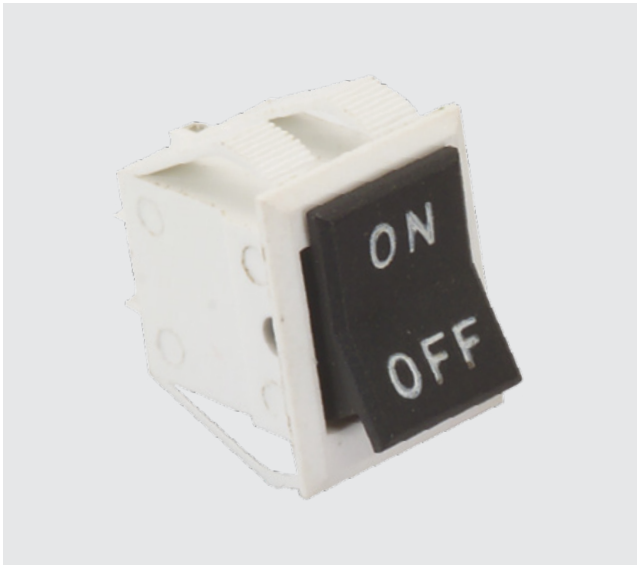
# 610/620

## 610/620-Series

### SMALL-SIZED ROCKER SWITCHES

---

The 610/620-Series switches are double insulated and available in single or double pole configurations. These snap-in mounted switches are offered with either a paddle or rocker actuator and with ratings up to 8 amps.



#### Product Highlights:

- ◆ Single or double pole
- ◆ Paddle rocker actuator options
- ◆ Snap-In mounting method

#### Typical Applications:

- ◆ Handheld Appliance
- ◆ Audio-Visual
- ◆ Power Supplies
- ◆ Computers



### Dielectric Strength

UL/CSA:  
1000V - live to dead metal parts &  
opposite polarity

### Mechanical Life

100,000 cycles

### Electrical Life

50,000 cycles- single pole  
50,000 cycles- double pole

### Operating Temperature

32°F to 185°F (0°C to 85°C)

**62012421** - **0** - **0**

*1* Base Part Number      *2* Terminal Sealing      *3* Legend

**1 BASE PART NUMBER: SERIES / CIRCUITRY / RATING <sup>1</sup> / TERMINATION <sup>1</sup>**  
**4A 250VAC; 8A 125VAC**  
**Single Pole**

	Solder Lugs	PC Term
On-none-On	62011421	62011422
On-none-(On)	62011431	62011432
On-off-On	62011461	62011462
On-off-(On)	62011471	62011472
(On)-off-(On)	62011481	62011482
<b>Double Pole</b>		
On-none-On	62012421	62012422
On-none-(On)	62012431	62012432
On-off-On	62012461	62012462
On-off-(On)	62012471	62012472
(On)-off-(On)	62012481	62012482

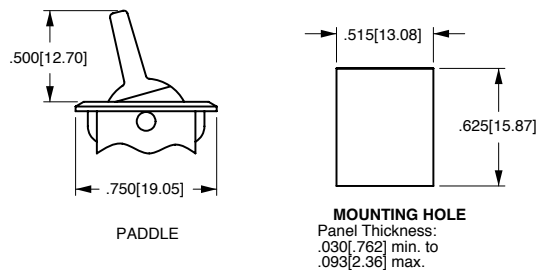
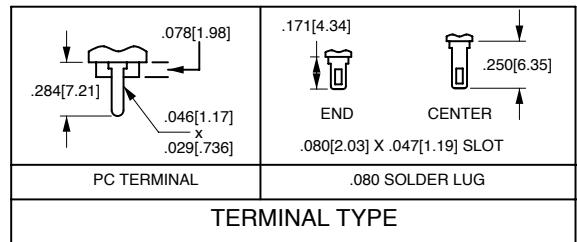
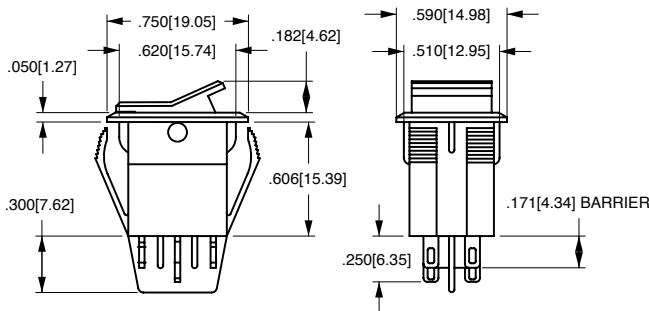
**2 TERMINAL SEALING**

0	None
E	Epoxy sealed terminals

**3 LEGEND**

NO LEGEND	hot stamp
On-OFF vertical	<b>A</b>
On-OFF horizontal	<b>B</b>
I-O horizontal	<b>D</b>
I-O vertical	<b>G</b>

Notes:  
<sup>1</sup> Base part number specifies black rocker and bezel. To specify paddle actuator, change 2nd digit of part number from 2 to 1 (ex. 61012421) For additional ratings and colors, consult factory.  
 ( ) indicates momentary function.



\*Manufacturer reserves the right to change product specification without prior notice.

## Authorized Sales Representatives and Distributors

Click on a region of the map below to find your local representatives and distributors or visit [www.carlingtech.com/findarep](http://www.carlingtech.com/findarep).



## About Carling

Founded in 1920, Carling Technologies is a leading manufacturer of electrical and electronic switches and assemblies, circuit breakers, electronic controls, power distribution units, and multiplexed power distribution systems. With four ISO registered manufacturing facilities and technical sales offices worldwide, Carling Technologies Sales, Service and Engineering teams do much more than manufacture electrical components, they engineer powerful solutions! To learn more about Carling please visit [www.carlingtech.com/company-profile](http://www.carlingtech.com/company-profile).

To view all of Carling's environmental, quality, health & safety certifications please visit [www.carlingtech.com/environmental-certifications](http://www.carlingtech.com/environmental-certifications)

## **Worldwide Headquarters**

Carling Technologies, Inc.  
60 Johnson Avenue, Plainville, CT 06062  
**Phone:** 860.793.9281 **Fax:** 860.793.9231  
**Email:** sales@carlingtech.com

**Northern Region Sales Office:** nrsm@carlingtech.com  
**Southeast Region Sales Office:** sersm@carlingtech.com  
**Midwest Region Sales Office:** mrrsm@carlingtech.com  
**West Region Sales Office:** wrsm@carlingtech.com  
**Latin America Sales Office:** larsm@carlingtech.com

## **Asia-Pacific Headquarters**

Carling Technologies, Asia-Pacific Ltd.,  
Suite 1607, 16/F Tower 2, The Gateway,  
Harbour City, 25 Canton Road,  
Tsimshatsui, Kowloon, Hong Kong  
**Phone:** Int + 852-2737-2277 **Fax:** Int + 852-2736-9332  
**Email:** sales@carlingtech.com.hk

**Shenzhen, China:** shenzhen@carlingtech.com  
**Shanghai, China:** shanghai@carlingtech.com  
**Pune, India:** india@carlingtech.com  
**Kaohsiung, Taiwan:** taiwan@carlingtech.com  
**Yokohama, Japan:** japan@carlingtech.com

## **Europe | Middle East | Africa Headquarters**

Carling Technologies LTD  
4 Airport Business Park, Exeter Airport,  
Clyst Honiton, Exeter, Devon, EX5 2UL, UK  
**Phone:** Int + 44 1392.364422 **Fax:** Int + 44 1392.364477  
**Email:** ltd.sales@carlingtech.com

**Germany:** gmbh@carlingtech.com  
**France:** sas@carlingtech.com



**Carling Technologies®**

Innovative Designs. Powerful Solutions.